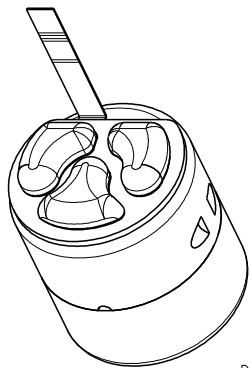
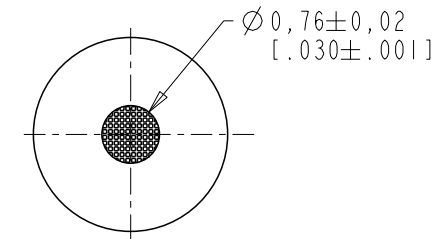
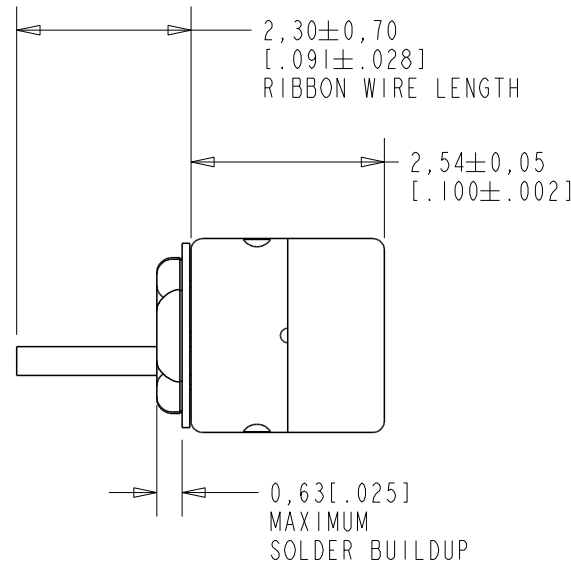
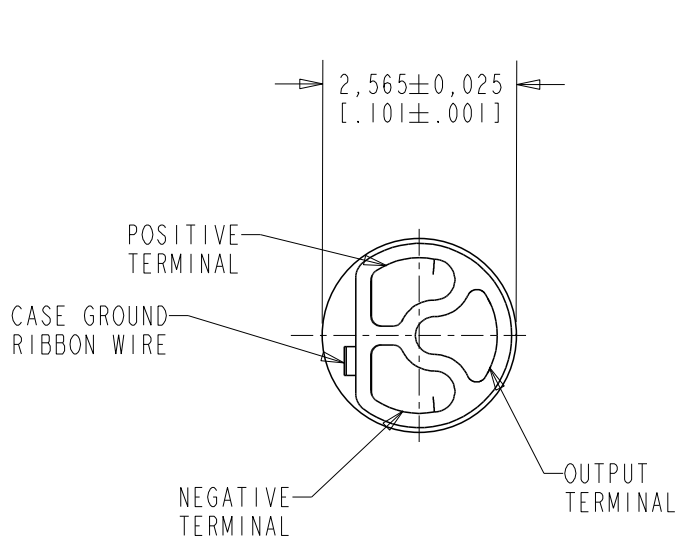


FG45-32491-000
SHT 1.1

NOTES:

- INCREASED PRESSURE AT THE SOUND INLET CAUSES A POSITIVE GOING VOLTAGE TO APPEAR AT THE OUTPUT TERMINAL, RELATIVE TO THE NEGATIVE TERMINAL.



NOMINAL WEIGHT 0.037 GRAMS

DIMENSIONS IN MILLIMETERS [INCHES]

| Revision | C.O. # | Implementation Date | RELEASE LEVEL | REVISION |
|----------|-----------|---------------------|---------------|----------|
| | | | Active | A |
| A | MI0106974 | 11-3-16 | | |

SCALE: 10:1

DR. BY DATE

NANC 11-3-16

CK. BY DATE

GJP 11-3-16

APP. BY DATE

GJP 11-3-16

KNOWLES CORPORATION

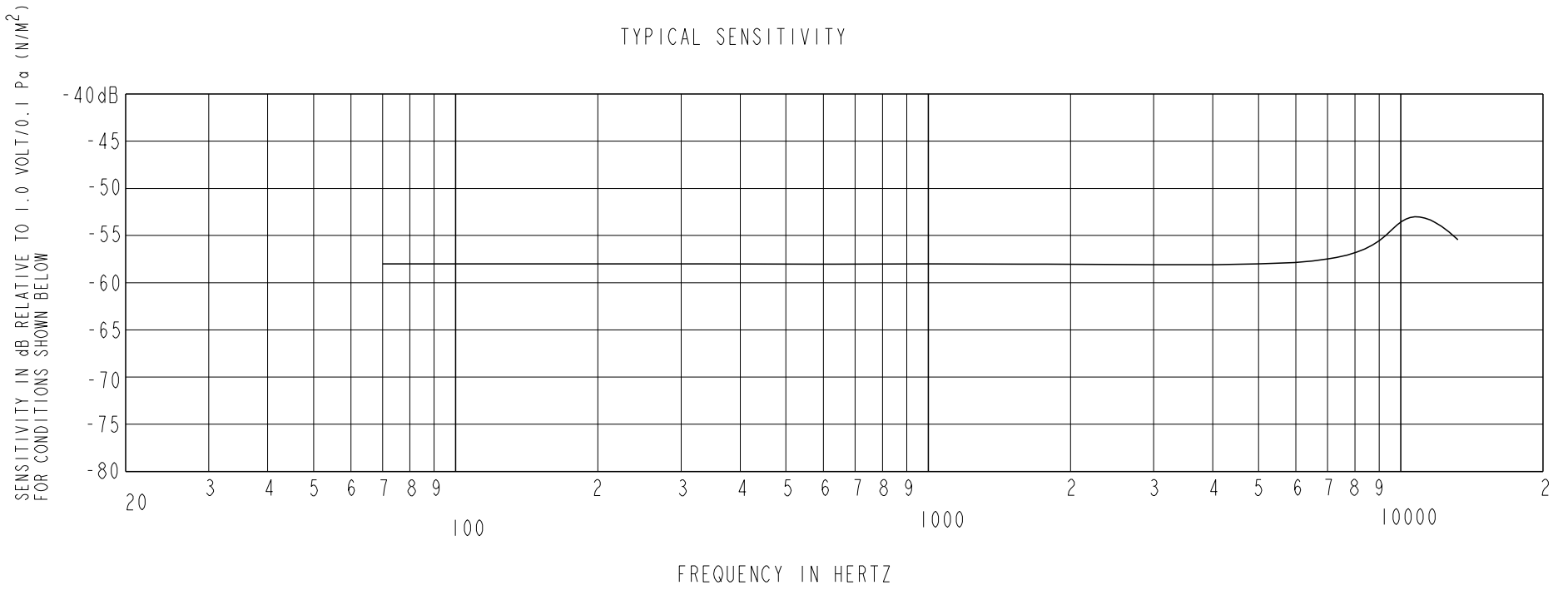
TITLE: MICROPHONE

FG45-32491-000

OUTLINE DRAWING

SHT 1.1

RoHS COMPLIANT

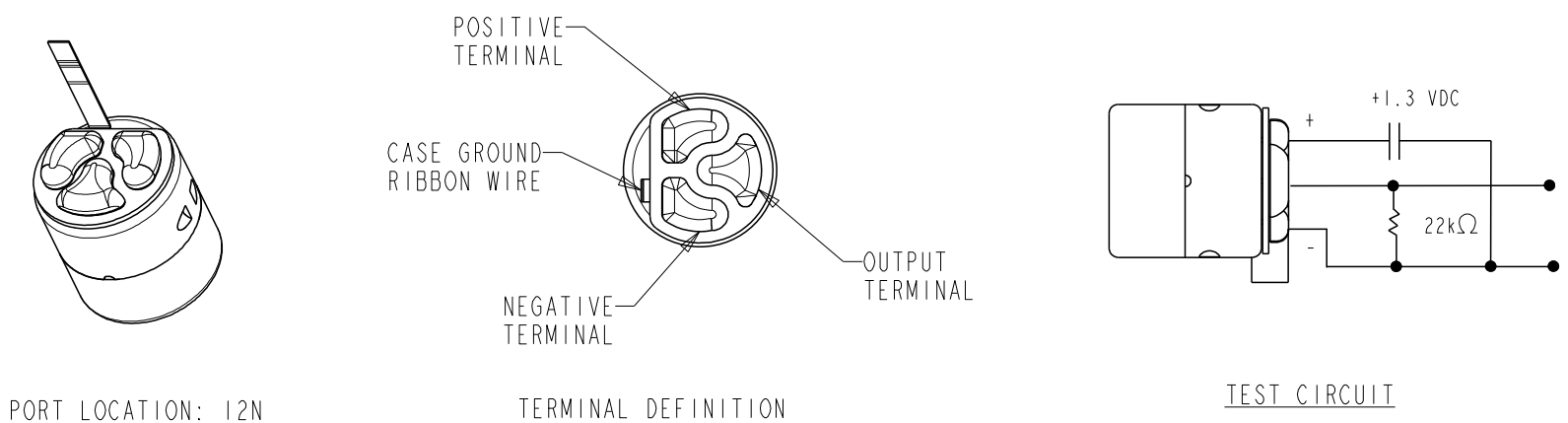


SENSITIVITY MEASURED IN A PRESSURE CAVITY UNDER THE NOMINAL CONDITIONS SHOWN BELOW

| POWER REQUIREMENT | | | | | |
|-------------------|------|---------|---------|---------|---------|
| PARAMETER | UNIT | MINIMUM | NOMINAL | MAXIMUM | REMARKS |
| DC POWER SUPPLY | VDC | 0.9 | 1.3 | 10.0 | - |

| PERFORMANCE | | | | | | | |
|--|----------|----------------|---------|---------|---------|---|---------------------------------|
| PARAMETERS | | UNIT | MINIMUM | NOMINAL | MAXIMUM | REMARKS | |
| SENSITIVITY | 80 Hz | dB | -2.0 | 0.0 | 2.0 | re SENSITIVITY AT 1 kHz | |
| | 1000 Hz | dB | -61 | -58 | -55 | dB re 1V/0.1Pa | |
| | 10000 Hz | dB | 1.5 | 4.5 | 7.5 | re SENSITIVITY AT 1 kHz | |
| SENSITIVITY CHANGE ON REDUCING SUPPLY TO 0.9 VDC | | 1000 Hz | dB | -3.0 | 0.0 | 3.0 | REDUCED FROM 1.3 VDC TO 0.9 VDC |
| AMPLIFIER CURRENT DRAIN | | uA | - | 17 | 40 | - | |
| OUTPUT LOAD VOLTAGE | | V _L | 0.20 | 0.40 | 0.90 | WITH TEST CIRCUIT | |
| A-WEIGHTED NOISE | | dB(A) | - | 34.5 | 40.0 | INPUT REFERRED NOISE, dB(A) SPL, re SENSITIVITY AT 1kHz | |
| OUTPUT IMPEDANCE | | Ohms | 2750 | 4400 | 6750 | WITH TEST CIRCUIT | |

- NOTES: 1. CASE CONNECTED TO NEGATIVE TERMINAL.
2. SENSITIVITY AND NOISE VALUES INDICATED ON THIS SPECIFICATION ARE VALID AT 1.3 VDC AND 22KOHM LOAD IMPEDANCE TYPICAL TEST ENVIRONMENT: 50% RH, 21°C (70°F)
3. MICROPHONE TO BE FUNCTIONAL WITH 10V DC SUPPLY



| Revision | C.O. # | Implementation Date | RELEASE LEVEL | REVISION |
|----------|-----------|---------------------|---------------|----------|
| A | M10106974 | 11-3-16 | Active | A |

KNOWLES CORPORATION

WHEN TEST LIMITS ARE USED TO ESTABLISH INCOMING INSPECTION ACCEPTANCE/REJECTION CRITERIA, CORRELATION OF TEST EQUIPMENT WITH KNOWLES IS ALSO REQUIRED FOR ELIMINATION OF EQUIPMENT AND TEST METHOD VARIATION

TITLE: MICROPHONE
PERFORMANCE SPECIFICATION

FG45-32491-000
SHT 2.1

| DR. BY | DATE |
|---------|---------|
| NANC | 11-3-16 |
| CK. BY | DATE |
| GJP | 11-3-16 |
| APP. BY | DATE |
| GJP | 11-3-16 |